



Protector[®] Special Application Hoods

Laboratory Hoods for Radioisotope, Perchloric Acid and Acid Digestion Use
Fiberglass 28, Demonstration and Canopy Hoods



Protecting your
laboratory environment

LABCONCO



Introduction

Applications involving perchloric acid, acid digestion and radioisotopes require laboratory hoods with specialized features. Labconco offers two perchloric acid hoods: the Protector Stainless Steel Perchloric Acid Hood and the Protector PVC Perchloric Acid Hood. These hoods feature washdown systems, integral work surfaces and drainage troughs so that they may be thoroughly rinsed after each use to prevent the accumulation of potentially reactive perchloric salts. Their liners of Type 316 stainless steel or Type 1 unplasticized polyvinyl chloride are designed to withstand reaction from perchloric acid.

Protector PVC Acid Digestion Hoods feature Lexan* sashes, which are recommended for applications involving the use of acids including hydrofluoric acid but not perchloric acid. The Lexan material does not fog or etch when exposed to HF fumes.

Protector Stainless Steel Radioisotope Hoods have fully sealed integral work surfaces and covered interiors to facilitate decontamination. The liner of Type 304 stainless steel is impermeable to a wide range of radioactive materials.

All of these special application fume hoods have the same sleek glacier-white epoxy-coated steel exteriors as the rest of the Protector line of hoods so that several hoods can be combined within a laboratory to achieve an attractive, uniform appearance. Labconco is available to answer your questions and provide assistance in choosing the right laboratory ventilation product for your application. Please call us at **800-821-5525**, **816-333-8811** or visit our web site at **www.labconco.com**.



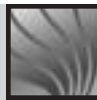
Above: 4' Protector Stainless Steel Radioisotope Laboratory Hood.



Left: 4' Protector Stainless Steel Perchloric Acid Laboratory Hood.



Below: 4' Protector PVC Perchloric Acid Laboratory Hood.



Protector® Stainless Steel Radioisotope Laboratory Hoods



Protector Stainless Steel Radioisotope Laboratory Hood 4882200. Blower, ductwork and base cabinet must be ordered separately.

All models feature:

- By-pass airflow design
- Ergonomic air foil with aerodynamic Clean-Sweep airflow openings
- Glacier white, dry powder epoxy-coated steel exterior
- Seamless Type 304 stainless steel liner with integral work surface
- Black enamel-coated hardboard surface to support the integral work surface
- 3/16" thick tempered safety glass vertical-rising sash with frame of epoxy-coated aluminum and PVC
- Removable front and side panels and front access panels for access to plumbing and electrical wiring
- Pre-wired T8 fluorescent lighting, light switch and blower switch for 115 volt, 60 Hz operation to single point internal junction box

- Two pre-plumbed service fixtures with forged brass valves and chrome-plated brass serrated hose connectors, lower right side with brass tubing for gas and lower left side with copper tubing for air. Components for converting either or both fixtures to cold water and vacuum are provided. **Inlet tubing is not provided.**
- One pre-wired 115 volt electrical duplex receptacle on lower right side
- 11" OD Type 304 stainless steel exhaust connection(s)

Contact Labconco at **800-821-5525** or **816-333-8811** for ordering information on additional service fixtures, tissue screens, recommendations on HEPA and charcoal filters and for blower sizing assistance.

All models conform to the following regulations and standards:

- SEFA—#1 (Laboratory Fume Hoods)
- NFPA—#45 (Fire Protection for Laboratories Using Chemicals 2000) sections 6-1 through 6-14
- ASTM-E-84—Surface Burning Characteristics of Building Materials
- ASHRAE—110-95 (Method of Testing Performance of Laboratory Fume Hoods)
- ANSI—Standard Z9.5 (Laboratory Ventilation)
- UL Standard 3101-1
- CAN/CSA Standard C22.2 No. 1010.1
- UL Standard 1805

All models require (not included):

- **Dedicated remote blower.** Contact Labconco for recommendations.
- **Ductwork.** Type 304 stainless steel duct is recommended. Contact Labconco for source recommendations.
- **Base Cabinet or Stand.** See pages 19-20.

Optional accessories for on-site installation include:

- **Service Fixture Kits.** See page 16.
- **Electrical Duplex Kits.** See page 17.
- **Guardian Jr. and Digital Airflow Monitor Kits.** See page 17.
- **Sash Stop Kit.** See page 17.
- **Rear, Ceiling and Side Enclosure Kits.** See page 18.

With Sash Full Open (28") @ 100 fpm

Nominal Width	Total Exhaust CFM and Static Pressure	
	CFM	S.P.
4 Feet	730	.20"
5 Feet	960	.30"
6 Feet	1180	.50"
8 Feet	1660	.26"

With Sash 60% Open (18") @ 100 fpm*

Nominal Width	Total Exhaust CFM and Static Pressure	
	CFM	S.P.
4 Feet	470	.08"
5 Feet	610	.12"
6 Feet	750	.20"
8 Feet	1060	.11"

* Sash stop required



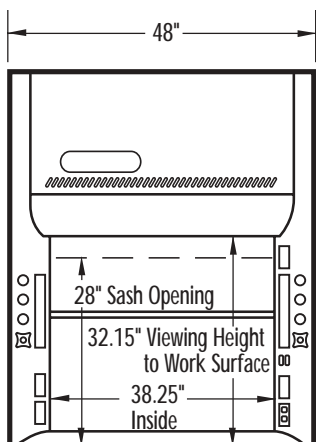
Ordering Information

Protector[®] Stainless Steel Radioisotope Laboratory Hoods

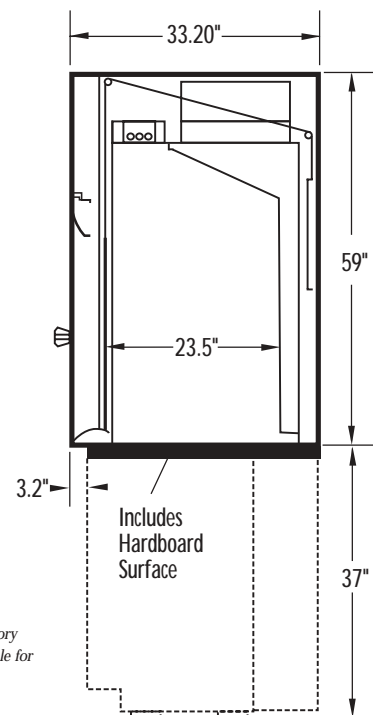
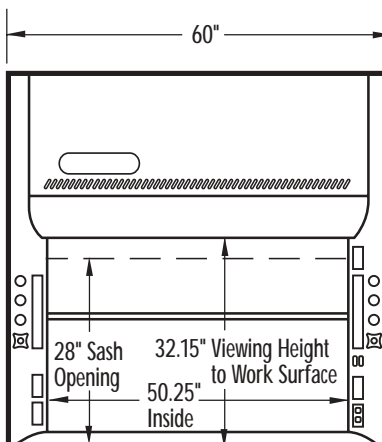
Nominal Width	Catalog Number	Electrical Requirements	11.00" OD Exhaust Collar(s)	Sash	Fluorescent Lamps	Service Fixtures	Electrical Duplex	Shipping Weight lbs./kg
4 Feet	4882200	115 volts, 60 Hz	1	1	2 ea. 25 watt	2	1	509/231
5 Feet	6082200	115 volts, 60 Hz	1	1	2 ea. 32 watt	2	1	642/291
6 Feet	7282200	115 volts, 60 Hz	1	1	2 ea. 32 watt	2	1	702/318
8 Feet	9682200*	115 volts, 60 Hz	2	1	4 ea. 25 watt	2	1	822/372

* Contact Labconco for availability.

4 Feet



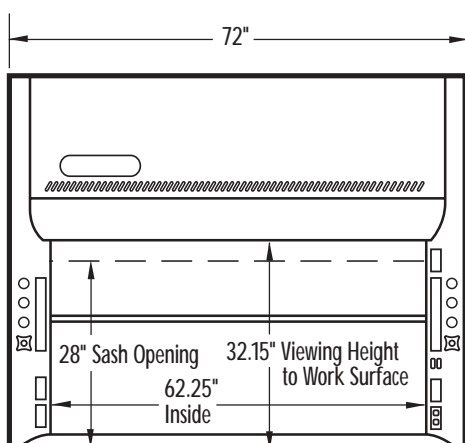
5 Feet



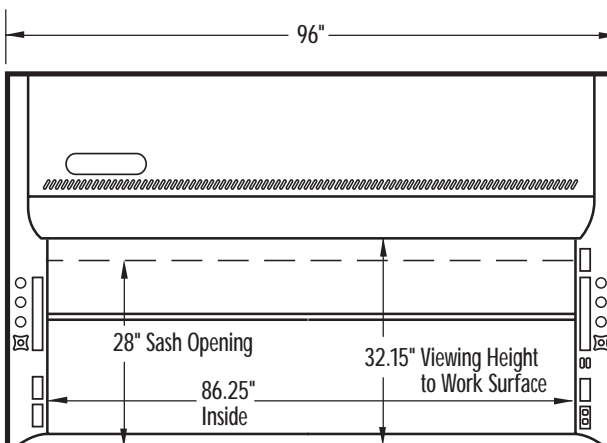
Side View / All Models

(Shown with accessory base cabinet available for all hood widths)

6 Feet



8 Feet





Protector® Stainless Steel Perchloric Acid Laboratory Hoods



Protector Stainless Steel Perchloric Acid Laboratory Hood 4882100. Blower, ductwork and base cabinet must be ordered separately.

All models feature:

- By-pass airflow design
- Ergonomic air foil with aerodynamic Clean-Sweep airflow openings
- Glacier white, dry powder epoxy-coated steel exterior
- Seamless Type 316 stainless steel liner (23.5" interior depth) with integral work surface and drainage trough
- Black enamel-coated hardboard surface to support the integral work surface
- 3/16" thick tempered safety glass vertical-rising sash with frame of epoxy-coated aluminum and PVC
- Removable front and side panels and front access panels for access to plumbing and electrical wiring
- Pre-wired T8 fluorescent lighting, light switch and blower switch for 115 volt, 60 Hz operation to single point internal junction box

- Built-in washdown system with internal piping and spray nozzles behind the baffle and remote control fixture on left side
- Two pre-plumbed service fixtures with forged brass valves and chrome-plated brass serrated hose connectors, lower right side with brass tubing for gas and lower left side with copper tubing for air. Components for converting either or both fixtures to cold water and vacuum are provided. **Inlet tubing is not provided.**
- One pre-wired 115 volt electrical duplex receptacle on lower right side
- 11" OD Type 316 stainless steel exhaust connection(s)

Contact Labconco at **800-821-5525** or **816-333-8811** for ordering information on additional service fixtures, tissue screens and blower sizing assistance.

All models conform to the following regulations and standards:

- SEFA—#1 (Laboratory Fume Hoods)
- NFPA—#45 (Fire Protection for Laboratories Using Chemicals 2000) sections 6-1 through 6-14
- ASTM-E-84—Surface Burning Characteristics of Building Materials
- ASHRAE—110-95 (Method of Testing Performance of Laboratory Fume Hoods)
- ANSI—Standard Z9.5 (Laboratory Ventilation)
- UL Standard 3101-1
- CAN/CSA Standard C22.2 No. 1010.1
- UL Standard 1805

All models require (not included):

- **Dedicated remote blower.** Contact Labconco for recommendations.
- **Ductwork.** See page 17 for Wash Ring information. Contact Labconco for other ductwork.
- **Base Cabinet or Stand.** See pages 19-20.

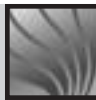
Optional accessories for on-site installation include:

- **Service Fixture Kit.** See page 16.
- **Electrical Duplex Kits.** See page 17.
- **Guardian Jr. and Digital Airflow Monitor Kits.** See page 17.
- **Sash Stop Kit.** See page 17.
- **Rear, Ceiling and Side Enclosure Kits.** See page 18.

With Sash Full Open (28") @ 100 fpm		
Nominal Width	Total Exhaust CFM and Static Pressure	
	CFM	S.P.
4 Feet	730	.20"
5 Feet	960	.30"
6 Feet	1180	.50"
8 Feet	1660	.26"

With Sash 60% Open (18") @ 100 fpm*		
Nominal Width	Total Exhaust CFM and Static Pressure	
	CFM	S.P.
4 Feet	470	.08"
5 Feet	610	.12"
6 Feet	750	.20"
8 Feet	1060	.11"

* Sash stop required



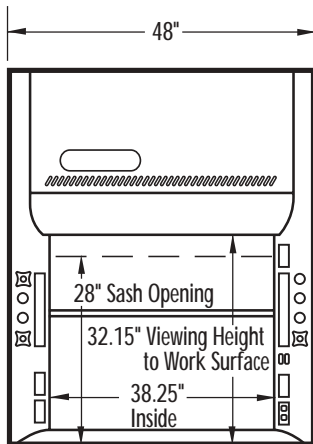
Ordering Information

Protector® Stainless Steel Perchloric Acid Laboratory Hoods

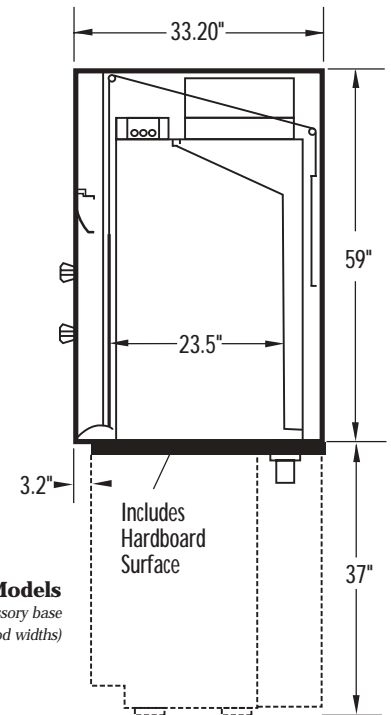
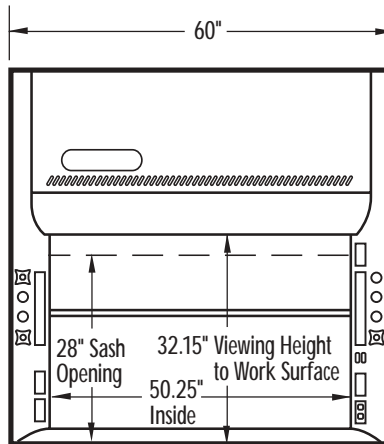
Nominal Width	Catalog Number	Electrical Requirements	11.00" OD Exhaust Collar(s)	Sash	Fluorescent Lamps	Service Fixtures	Electrical Duplex	Shipping Weight lbs./kg
4 Feet	4882100	115 volts, 60 Hz	1	1	2 ea. 25 watt	2	1	524/238
5 Feet	6082100	115 volts, 60 Hz	1	1	2 ea. 32 watt	2	1	609/276
6 Feet	7282100	115 volts, 60 Hz	1	1	2 ea. 32 watt	2	1	675/306
8 Feet	9682100*	115 volts, 60 Hz	2	1	4 ea. 25 watt	2	1	805/365

* Contact Labconco for availability.

4 Feet

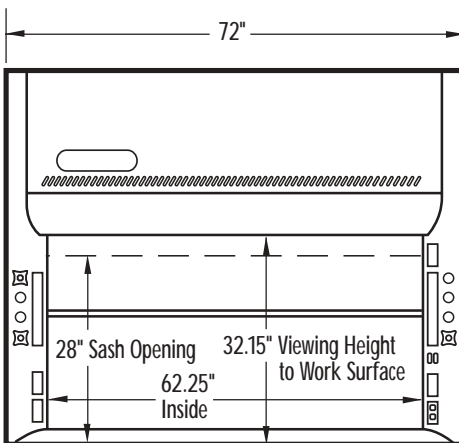


5 Feet

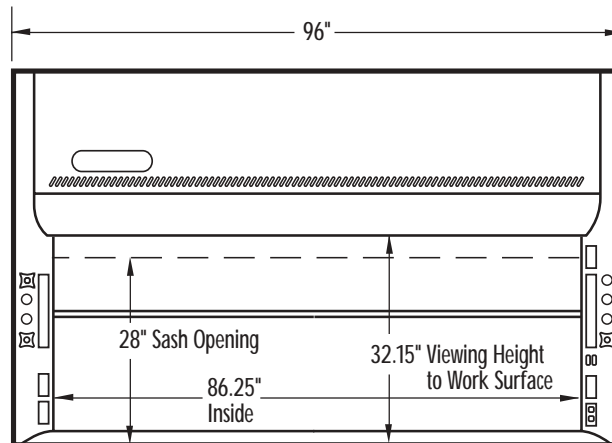


Side View / All Models
(Shown with accessory base cabinet available for all hood widths)

6 Feet



8 Feet





Protector® PVC Perchloric Acid & Acid Digestion Laboratory Hoods



Protector PVC Perchloric Acid Laboratory Hood 4882400. Blower, ductwork and base cabinet must be ordered separately.

All models feature:

- By-pass airflow design
- Ergonomic air foil with aerodynamic Clean-Sweep airflow openings
- Glacier white, dry powder epoxy-coated steel exterior
- Heat-welded unplasticized PVC liner (30.0" interior depth) with integral work surface and drainage trough
- Black enamel-coated hardboard surface to support the integral work surface
- Removable front and side panels and front access panels for access to plumbing and electrical wiring
- Pre-wired T8 fluorescent lighting, light switch and blower switch for 115 volt, 60 Hz operation to single point internal junction box
- Built-in washdown system with internal piping and spray nozzles behind the baffle and remote control fixture on upper left side
- Plugged washdown port for connection to external wash rings (not included)
- Two pre-plumbed service fixtures with forged brass valves, lower right side with brass tubing and plastic serrated hose connector for gas and lower left side with

copper tubing and gray PVC rigid gooseneck faucet for cold water. Components for converting either or both fixtures to air and vacuum are provided. **Inlet tubing is not provided.**

- One pre-wired 115 volt electrical duplex receptacle on lower right side
- 12.75" OD PVC pipe exhaust connection(s)

Protector PVC Perchloric Acid Laboratory Hoods feature:

- 3/16" thick tempered safety glass vertical-rising sash with frame of epoxy-coated aluminum and PVC. Glass is suitable for perchloric acid use.

Protector PVC Acid Digestion Laboratory Hoods feature:

- 1/4" thick Lexan vertical-rising sash with frame of epoxy-coated aluminum and PVC. Lexan resists etching by hydrofluoric acid fumes.

Contact Labconco at **800-821-5525** or **816-333-8811** for ordering information on tissue screens and blower sizing assistance.

All models conform to the following regulations and standards:

- SEFA—#1 (Laboratory Fume Hoods)
- NFPA—#45 (Fire Protection for Laboratories Using Chemicals 2000) sections 6-1 through 6-14
- ASTM-E-84—Surface Burning Characteristics of Building Materials
- ASHRAE—110-95 (Method of Testing Performance of Laboratory Fume Hoods)
- ANSI—Standard Z9.5 (Laboratory Ventilation)
- UL Standard 3101-1
- CAN/CSA Standard C22.2 No. 1010.1
- UL Standard 1805

All models require (not included):

- **Dedicated remote blower.** Contact Labconco for recommendations.
- **Ductwork.** See page 17 for Wash Ring information. Contact Labconco for other ductwork.
- **Base Cabinet or Stand.** See pages 19-20.

Optional accessories for on-site installation include:

- **Service Fixture Kits.** See page 16.
- **Electrical Duplex Kits.** See page 17.
- **Guardian Jr. and Digital Airflow Monitor Kits.** See page 17.
- **Rear, Ceiling and Side Enclosure Kits.** See page 18.

With Sash Full Open (28")		
Nominal Width	Total Exhaust CFM and Static Pressure	
	CFM	S.P.
4 Feet	730	.17"
6 Feet	1180	.38"
8 Feet	1660	.22"



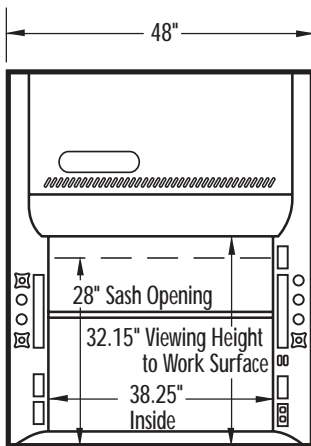
Ordering Information

Protector® PVC Perchloric Acid & Acid Digestion Laboratory Hoods

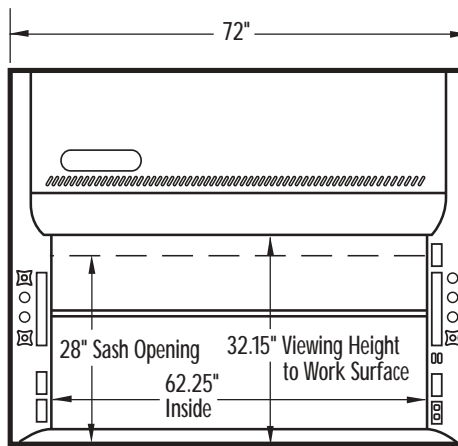
Nominal Width	Catalog Number	Electrical Requirements	12.75" OD Exhaust Collar(s)	Sash	Fluorescent Lamps	Service Fixtures	Electrical Duplex	Shipping Weight lbs./kg
Protector PVC Perchloric Acid Laboratory Hoods								
4 Feet	4882300	115 volts, 60 Hz	1	1	2 ea. 25 watt	2	1	375/170
6 Feet	7282300	115 volts, 60 Hz	1	1	2 ea. 32 watt	2	1	500/227
8 Feet	9682300*	115 volts, 60 Hz	2	1	4 ea. 25 watt	2	1	625/283
Protector PVC Acid Digestion Laboratory Hoods								
4 Feet	4882400	115 volts, 60 Hz	1	1	2 ea. 25 watt	2	1	375/170
6 Feet	7282400	115 volts, 60 Hz	1	1	2 ea. 32 watt	2	1	500/227
8 Feet	9682400*	115 volts, 60 Hz	2	1	4 ea. 25 watt	2	1	625/283

* Contact Labconco for availability.

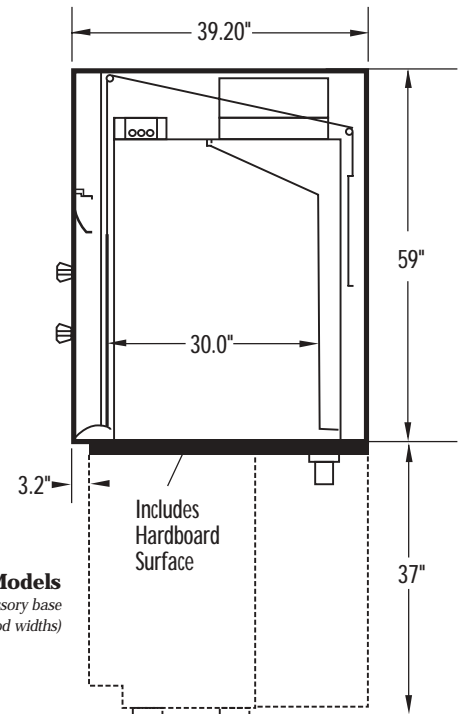
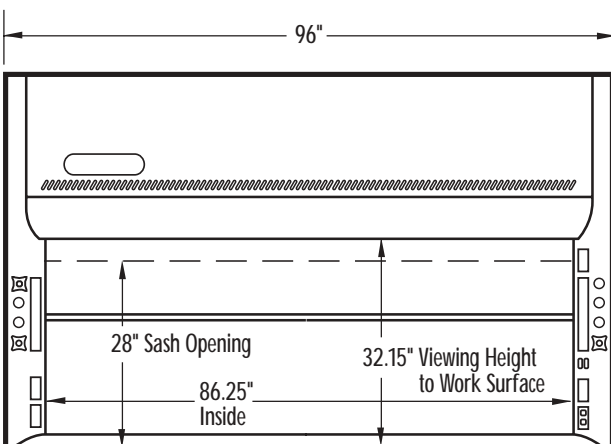
4 Feet



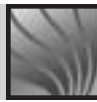
6 Feet



8 Feet

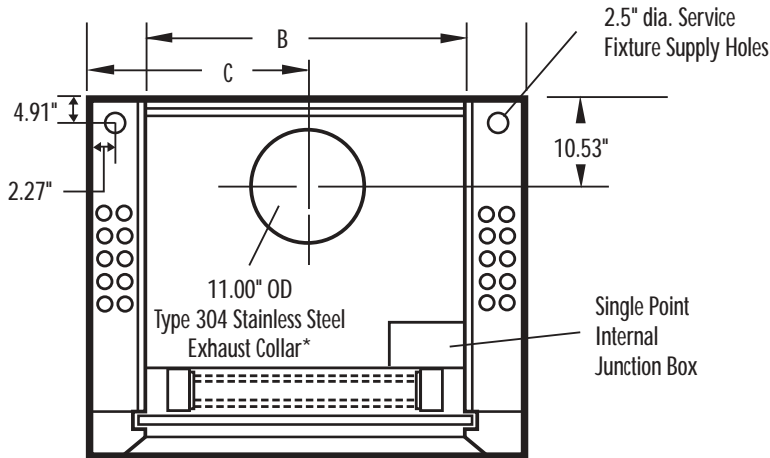


Side View / All Models
 (Shown with accessory base cabinet available for all hood widths)



Dimensional Data

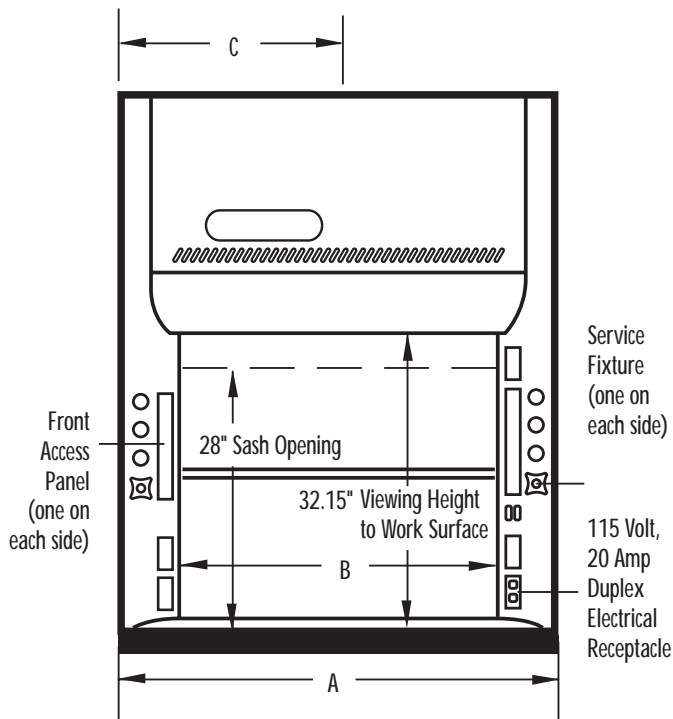
Protector[®] Stainless Steel Radioisotope Laboratory Hoods



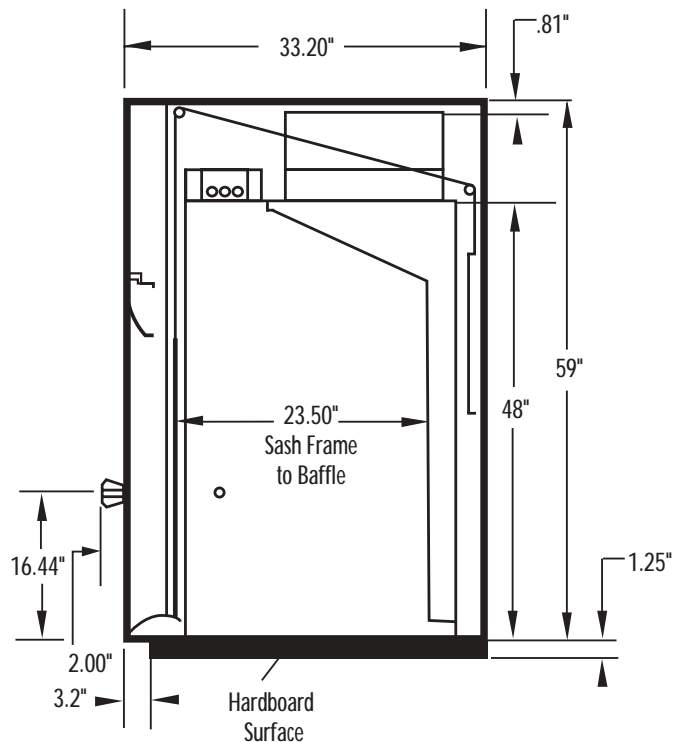
	A	B	C
4' Hood	48"	38.25"	24"
5' Hood	60"	50.25"	30"
6' Hood	72"	62.25"	36"
8' Hood	96"	86.25"	48"

*8' models have two exhaust collars, 24.00" on each side of centerline

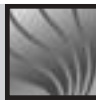
TOP



FRONT

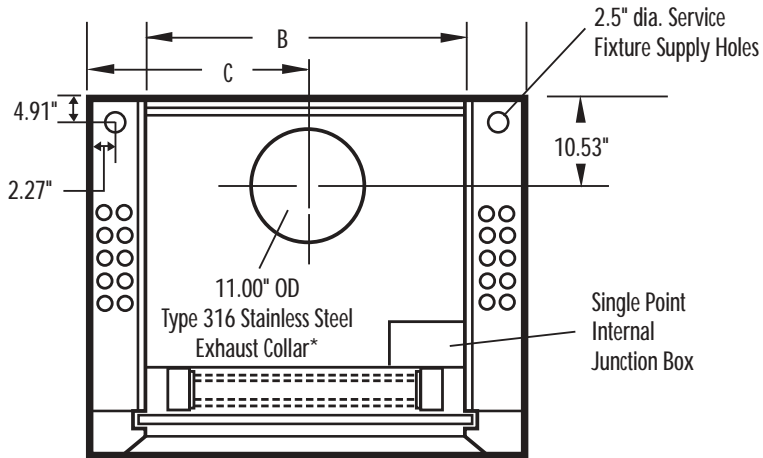


SIDE



Dimensional Data

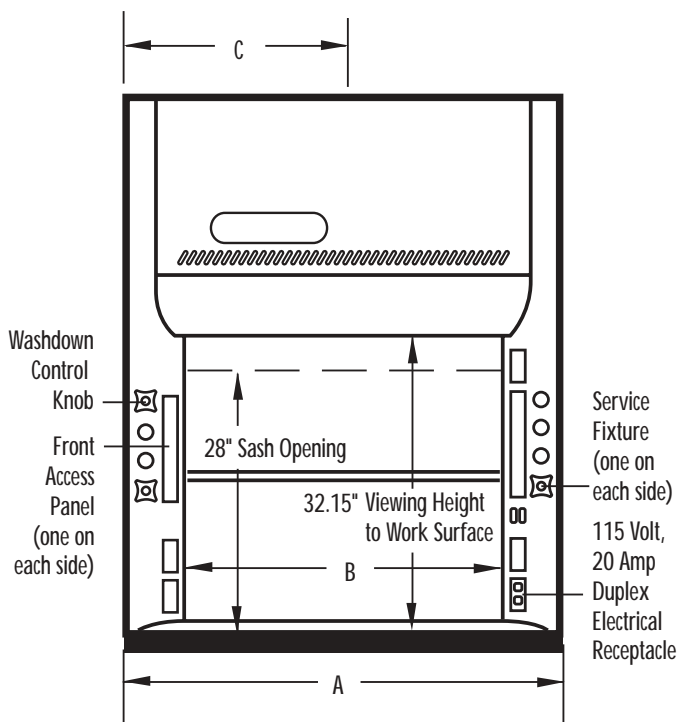
Protector® Stainless Steel Perchloric Acid Laboratory Hoods



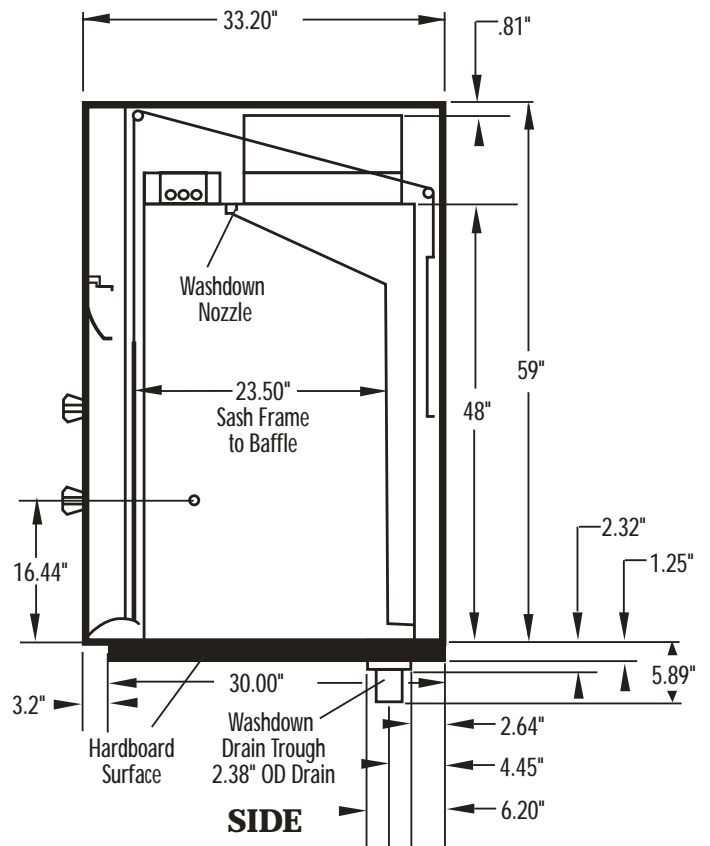
	A	B	C
4' Hood	48"	38.25"	24"
5' Hood	60"	50.25"	30"
6' Hood	72"	62.25"	36"
8' Hood	96"	86.25"	48"

*8' models have two exhaust collars, 24.00" on each side of centerline

TOP



FRONT



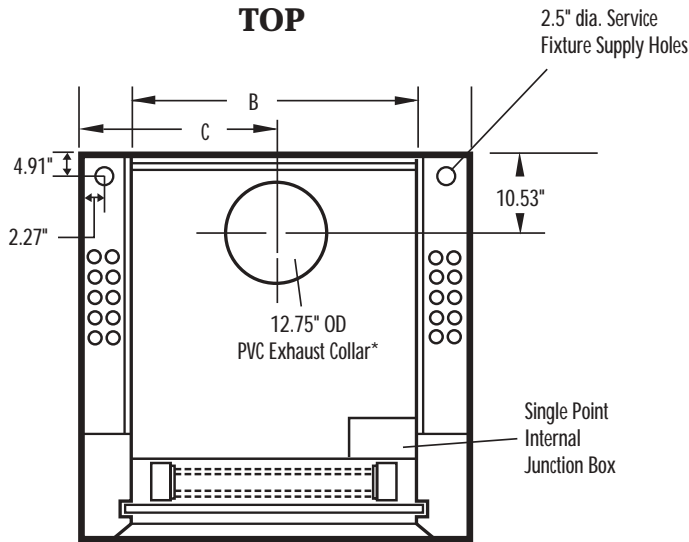
SIDE



Dimensional Data

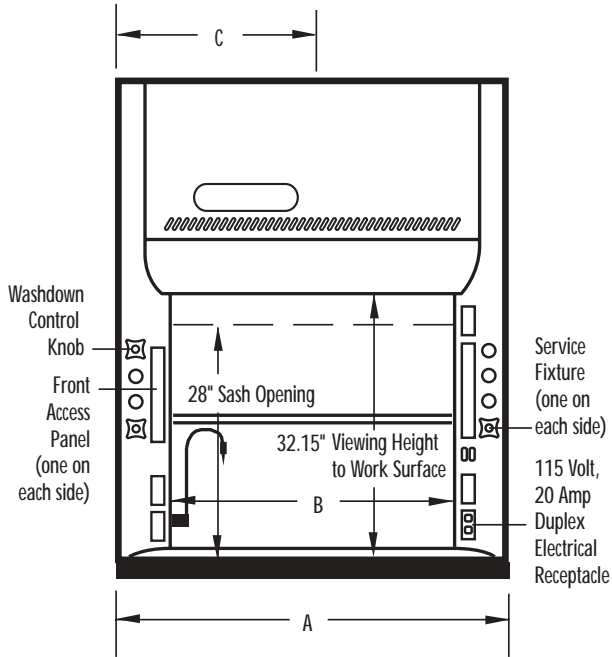
Protector® PVC Perchloric Acid & Acid Digestion Laboratory Hoods

TOP

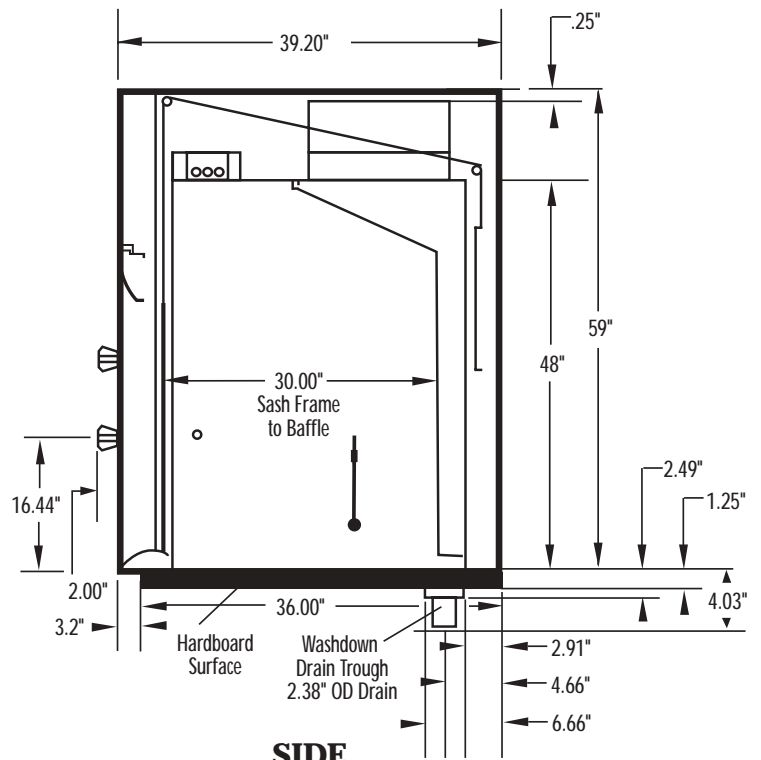


*8' models have two exhaust collars, 24.00" on each side of centerline

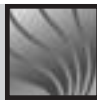
	A	B	C
4' Hood	48"	38.25"	24"
6' Hood	72"	62.25"	36"
8' Hood	96"	86.25"	48"



FRONT



SIDE



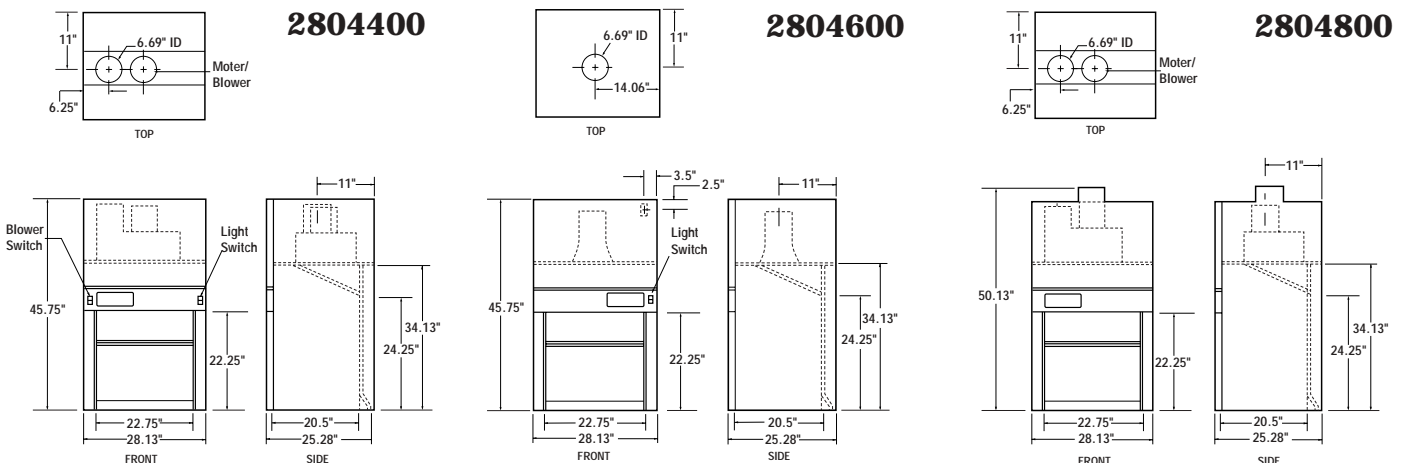
Fiberglass 28 Laboratory Hoods



Fiberglass 28 Laboratory Hood 2804600. Blower, ductwork and base cabinet must be ordered separately.

The compact Fiberglass 28 Laboratory Hood is designed for industrial, educational and clinical applications requiring small working space and efficient fume removal.

Dimensional Data



All models feature:

- Conventional airflow design
- Durable dry powder epoxy-coated steel exterior
- One-piece molded fiberglass interior and pre-set baffle with flame spread index less than 25 per ASTM E-84
- 3/16" thick tempered safety glass vertical-rising sash with epoxy-coated aluminum frame
- 6.69" ID PVC exhaust connection

All models conform to the following regulations and standards:

- SEFA—#1 (Laboratory Fume Hoods)
- NFPA—#45 (Fire Protection for Laboratories Using Chemicals 2000) sections 6-1 through 6-14
- ASTM-E-84—Surface Burning Characteristics of Building Materials
- ASHRAE—110-95 (Method of Testing Performance of Laboratory Fume Hoods)
- ANSI—Standard Z9.5 (Laboratory Ventilation)

Model 2804400 features:

- Built-in 1/10 hp exhaust blower capable of overcoming a minimum external static pressure of .25" H₂O at 340 CFM (100 fpm)
- Pre-wired vapor-proof incandescent light, light and blower switches
- Shipping weight 122 lbs. (55 kg)

Model 2804600 features:

- Designed for use with remote blower (not included)
- Static pressure loss does not exceed .13" H₂O at 100 fpm (340 CFM)
- Pre-wired vapor-proof incandescent light and light switch
- Shipping weight 96 lbs. (44 kg)

Model 2804800 features:

- Built-in belt-driven, corrosion-resistant 1/4 hp explosion-proof exhaust blower capable of overcoming a minimum external static pressure of .25" H₂O at 340 CFM (100 fpm)
- **Hood is furnished without light, switches or wiring. Wiring must conform to local codes.**
- Shipping weight 129 lbs. (59 kg)

All models require (not included):

- **Ductwork.** See page 17 for Spiral Tube and page 18 for Vent Outlet. Contact Labconco for other ductwork.
- **Work Surface.** See page 19.
- **Base Cabinet or Stand.** See pages 19 and 20.

Contact Labconco at **800-821-5525** or **816-333-8811** for blower sizing assistance for Model 2804600.



Demonstration Hood



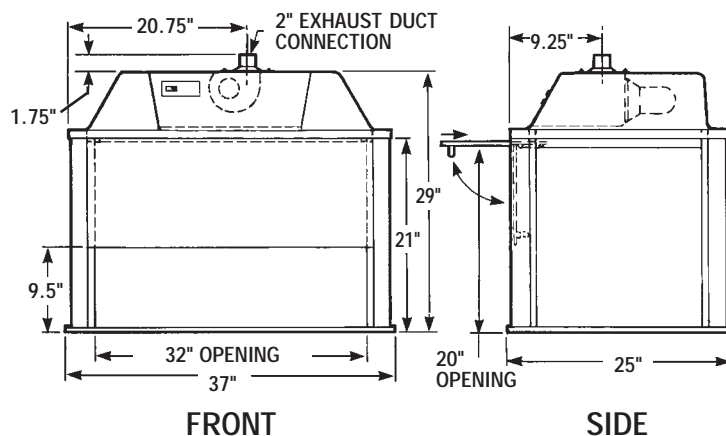
Demonstration Hood 6800000.
Variable Height Bench 8075000
must be ordered separately.

The Demonstration Hood 6800000 provides a clear, unobstructed view of experiments from all sides. It is designed for classroom and other applications requiring close observation of procedures. For true portability, the lightweight hood may be installed on a mobile base and transported from lab to lab. Outside ducting is required.

Features:

- Quiet built-in blower that provides 94 CFM free air
- Retractable 3/16" thick tempered safety glass front shield to improve face velocity and protect the operator
- 3/16" thick tempered safety glass side walls
- Glacier white, epoxy-coated tubular steel side posts
- Heat-resistant, high-impact thermo-plastic canopy
- Chemical-resistant, plastic laminate work surface
- Pre-wired 100-watt, vapor-proof incandescent light, switch and 8-foot 3-wire cord with plug for 115 volt, 60 Hz operation
- 2" diameter exhaust connection
- Shipping weight 99 lbs. (45 kg)

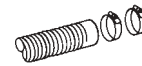
Dimensional Data



Required accessories:

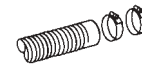
- **Ductwork.** See below.
- **Supporting base.** See below.

Accessories



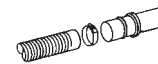
6802800 Flexible Exhaust Duct

42" length of 2" diameter steel-reinforced vinyl duct with two clamps. Shipping weight 2 lbs. (0.9 kg)



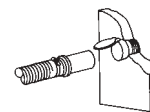
6802900 Flexible Exhaust Duct

10' length of 2" diameter steel-reinforced vinyl duct with 2 clamps. Shipping weight 6 lbs. (2.7 kg)



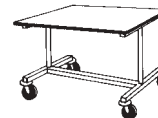
1967400 Duct Outlet

Quick connect fitting joins Flexible Exhaust Duct, above, to wall or Duct Inlet Valve, below. Shipping weight 1 lb. (0.45 kg)



1967500 Duct Inlet Valve

Valve with cover connects Duct Outlet, above, with exhaust system. Shipping weight 2 lbs. (0.9 kg)



8075000 Variable Height Bench

Mobile bench provides movable support for Demonstration Hood. Five-inch diameter ball bearing casters have toe locks and protective rubber guards. Charcoal epoxy-coated tubular steel construction with glacier white laminate work surface. Holds loads up to 540 lbs. Shipping weight 111 lbs. (50.3 kg)



Canopy Hoods



Canopy Hood 4799000. Blower and ductwork must be ordered separately.

The Canopy Hood is specifically designed to vent non-toxic materials such as heat, steam and odors from large or bulky apparatus such as ovens, steam baths and autoclaves. The hood may be installed on a wall or suspended from the ceiling for peninsular and corner locations. **For most efficient performance, the hood should be installed no more than 12" above the equipment to be ventilated.** Coupled with a blower and ductwork, the Canopy Hood can operate at a wide range of exhaust rates.

Features:

- Glacier white, epoxy-coated steel construction
- Integral baffle
- Fully assembled, complete with mounting hardware for installation on wall or suspended from ceiling. **Threaded rod is required.**

Both models require (not included):

- **Ductwork.** Contact Labconco for recommendations
- **Remote blower.** Contact Labconco for recommendations.

Nominal Width	Catalog Number	Shipping Weight lbs./kg
4 Feet	4799000	65/29
6 Feet	7099000	100/45

4' Canopy Hood 4799000

CFM at Static Pressure - Inches H₂O

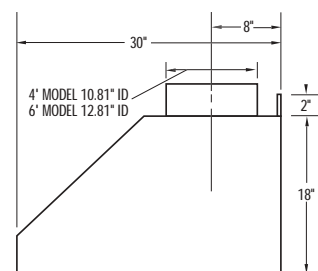
.12"	.19"	.22"	.36"	.39"	.73"	2.45"
325	450	488	650	675	975	1950

6' Canopy Hood 7099000

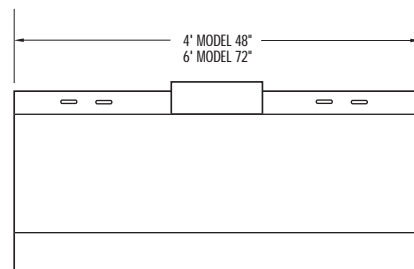
CFM at Static Pressure - Inches H₂O

.17"	.24"	.31"	.45"	.49"	.89"	2.5"
425	550	638	825	850	1275	2550

Dimensional Data



SIDE

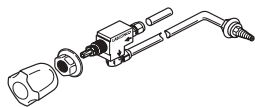


FRONT

Contact Labconco at **800-821-5525** or **816-333-8811** for blower sizing assistance.



Accessories



Standard Service Fixture Kits

Each kit includes one remotely-controlled service fixture with 0.25" diameter valve and tubing, color-coded plastic fixture knob and color-coded plastic hose connector. For mounting on the left or right side of any Protector PVC Perchloric Acid or Acid Digestion Hood*. **Inlet tubing is not included. Requires drilled hole in liner.** Shipping weight 4 lbs. (1.8 kg)

Catalog #	Kit	Tubing	Valve	Knob/Connector Color
9808300	Cold Water (CW)	Copper	Brass	Green
9808400	Air (AIR)	Copper	Brass	Orange
9808500	Vacuum (VAC)	Copper	Brass	Yellow
9808700	Gas (GAS)	Brass	Brass	Blue
9808800	Argon (ARG)	Copper	Brass	Gray
9808900	Hot Water (HW)	Copper	Brass	Red
9809100	Deionized/Distilled Water (DW)	Stainless Steel	Nickel-Plated & Stainless Steel	White
9809200	Steam (STM)	Copper	Brass	Black
9809300	Nitrogen (NIT)	Copper	Brass	Brown

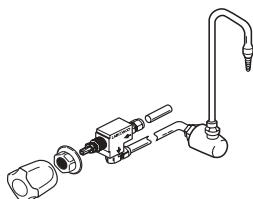
Oxygen Standard Service Fixture Kit

Includes one remotely-controlled service fixture with 0.25" diameter valve and tubing, color-coded plastic fixture knob and color-coded epoxy-coated brass hose connector. For mounting for the left or right side of any Protector Stainless Steel or PVC Hood. **Inlet tubing is not included. Requires drilled hole in liner.** Shipping weight 4 lbs. (1.8 kg)

Catalog #	Kit	Tubing	Valve	Knob/Connector Color
9809700	Oxygen (OXY)	Copper	Brass with Oxygen-Compatible Lubricant	Light Green

Cold Water Gooseneck Fixture Kits

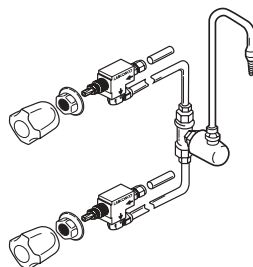
Each kit includes one remotely-controlled gooseneck with 0.375" diameter brass valve and copper tubing and green plastic fixture knob. For mounting on the left or right side. **Inlet tubing is not included. Requires drilled hole in liner.**



Catalog #	Kit	Description	Shipping Weight
9827900	Cold Water (CW) Gooseneck	For Protector Stainless Steel Hoods. Includes green epoxy-coated brass rigid/swivel gooseneck.	10 lbs. (4.5 kg)
9857700	Cold Water (CW) Gooseneck	For Protector PVC Hoods. Includes gray PVC rigid gooseneck.	10 lbs. (4.5 kg)

Hot and Cold Water Mixing Gooseneck Fixture Kit

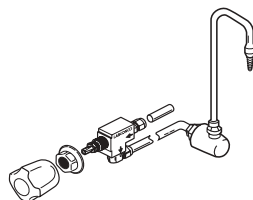
Each kit includes one remotely-controlled, white epoxy-coated, brass rigid/swivel gooseneck with 0.25" diameter brass valve and copper tubing, one green plastic fixture knob and one red plastic fixture knob. For mounting on the left or right side. **Inlet tubing is not included. Requires drilled hole in liner.**



Catalog #	Kit	Description	Shipping Weight
9828000	Hot (HW) and Cold Water (CW) Mixing Gooseneck	For Protector Stainless Steel and PVC Hoods	11 lbs. (5.0 kg)

Deionized/Distilled Water Gooseneck Fixture Kit

Each kit includes one remotely-controlled, gray PVC rigid gooseneck with 0.25" diameter stainless steel valve and copper tubing and green plastic fixture knob. For mounting on the left or right side. **Inlet tubing is not included. Requires 1.375" diameter drilled hole in liner.**



Catalog #	Kit	Description	Shipping Weight
9853400	Deionized/Distilled Water (DW) Gooseneck	For Protector Stainless Steel and PVC Hoods	10 lbs. (4.5 kg)

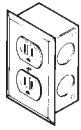
*Contact Labconco for ordering information on Standard Service Fixtures for Protector Stainless Steel Hoods.



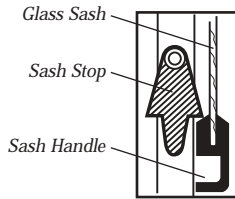
Accessories

Duplex Electrical Receptacle Kits

Each kit includes duplex electrical receptacle, wiring, junction box and receptacle cover plate. For mounting in left or right side.



Catalog #	Kit	For Hood with Exterior Widths:	Shipping Weight
9851100	115 volts, 20 amps AC	4', 5', 6' and 8'	4 lbs. (1.8 kg)
9851500	115 volts, 20 amps AC, GFCI	4', 5', 6' and 8'	4 lbs. (1.8 kg)
9854200	230 volts, 20 amps AC	4', 5', 6' and 8'	4 lbs. (1.8 kg)



9724500 Sash Stop Kit

The Sash Stop restricts how far a vertical-rising sash may be opened. This small plastic device may be easily field installed on the fixture panel of any Protector Stainless Steel Hood. Benchtop hoods have been factory-prepared to accommodate a sash stop at the 50% and 60% open positions. Alternate sash positions may be field drilled. Each Sash Stop Kit includes components for one sash. Shipping weight 0.5 lb. (0.2 kg)

Guardian™ Digital Airflow Monitor Kits

Include face plate with circuit board, electrical power pack, vinyl tubing, side wall flow tube adapter and wiring instructions. From the monitor's face plate, the user can easily select and calibrate a setpoint between 50 and 250 fpm using a velocity meter and a screwdriver. An LCD displays actual face velocity. If the hood's face velocity falls below the setpoint for more than 6 seconds, an audible alarm sounds and the LOW indicator glows red. The TEST RESET switch, when pressed, mutes the audible alarm. The EMERG. PURGE switch, when configured and pressed, activates a relay to open the hood damper. May be used with any Protector Stainless Steel or PVC Hood. For installation in a factory-prepared cutout on upper portion of right fixture panel. **Requires drilled hole in liner.** Shipping weight 6 lbs. (2.7 kg)



Catalog #	Description
9743201	Guardian Digital Airflow Monitor for 115 volt, 60 Hz operation
9743205*	Guardian Digital Airflow Monitor for 230 volt, 50 Hz operation

Guardian™ Jr. Airflow Monitor Field Installation Kits

Include face plate with circuit board, electrical power pack, vinyl tubing, stem tube adapter and wiring instructions. From the monitor's face plate, the user can easily select and calibrate a setpoint between 50 and 250 fpm using a velocity meter and a screwdriver. If the hood's face velocity falls below the setpoint for more than 6 seconds, an audible alarm sounds and the ALERT indicator glows red. The TEST RESET switch, when pressed, mutes the audible alarm. May be used with any Protector Stainless Steel or PVC Hood. For installation in a factory-prepared cutout on upper portion of right fixture panel. Shipping weight 6 lbs. (2.7 kg)

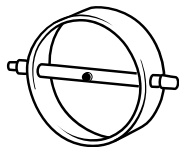


Catalog #	Description
9743202	Guardian Jr. Airflow Monitor for 115 volt, 60 Hz operation
9743206*	Guardian Jr. Airflow Monitor for 230 volt, 50 Hz operation

* International electrical configuration

Wash Rings

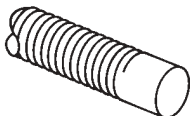
For use in duct systems connected to Protector Stainless Steel Perchloric Acid, PVC Perchloric Acid or Acid Digestion Hoods. Wide angle conical spray nozzle and wash water connection nipple are fabricated into a PVC coupling. The rings are designed to be connected to the ductwork washdown system so that duct may be rinsed after each use to prevent the accumulation of potentially reactive perchloric salts.

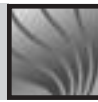


Catalog #	Description	Shipping Weight
4746000	Wash Ring, 10" nominal diameter	5 lbs. (2.3 kg)
4746100	Wash Ring, 12" nominal diameter	6 lbs. (2.7 kg)

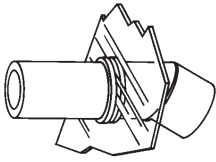
1965100 Spiral Tube

Simplifies semi-permanent installations of the Fiberglass 28 Laboratory Hood. Highly corrosion-resistant, neoprene-impregnated fiberglass, reinforced with steel wire. Includes 6" rigid duct connector and clamps. 10' length. Shipping weight 8 lbs. (3.6 kg)





Accessories



2820000 Vent Outlet

The Fiberglass 28 Laboratory Hood may be vented through a window by substituting PLEXIGLAS* for the window pane and cutting a 6.0625" hole in the PLEXIGLAS to accept the vent outlet. Sized for use with 7" Spiral Tube 1965100 (sold separately). Shipping weight 1 lb. (0.45 kg)

* PLEXIGLAS® is a registered trademark of Rohm and Haas.

3-Sided Ceiling Enclosure Kits

Each kit includes three glacier white epoxy-coated steel ceiling enclosure panels, one for the front of the hood and one for each side of the hood. The panels extend above the top of the hood to the ceiling to hide exposed ductwork, plumbing and wiring.

Hood Width	For Hood Type:	Enclosure Height Range in Inches		
		10.06/13.08	13.08/17.62	17.62/24.50
4'	Stainless Steel	9852003	9852004	9852005
	PVC	9852103	9852104	9852105
5'	Stainless Steel	9852009	9852010	9852011
6'	Stainless Steel	9852015	9852016	9852017
	PVC	9852115	9852116	9852117
8'	Stainless Steel	9852021	9852022	9852023
	PVC	9852121	9852122	9852123

Front Ceiling Enclosure Kits

Each kit includes one glacier white epoxy-coated steel ceiling enclosure panel for the front of the hood. The panel extends above the top of the hood to the ceiling to hide exposed ductwork and wiring. For any Protector Stainless Steel or PVC Laboratory Hood.

Hood Width	Enclosure Height Range in Inches		
	10.06/13.08	13.08/17.62	17.62/24.50
4'	9852303	9852304	9852305
5'	9852309	9852310	9852311
6'	9852315	9852316	9852317
8'	9852321	9852322	9852323

Side Ceiling Enclosure Kits

Each kit includes one glacier white epoxy-coated steel ceiling enclosure panel for the side of the hood. The panel extends above the top of the hood to the ceiling to hide exposed ductwork and wiring.

Hood Side	For Hood Type:	Enclosure Height Range in Inches		
		10.06/13.08	13.08/17.62	17.62/24.50
Right	Stainless Steel	9852403	9852404	9852405
	PVC	9852409	9852410	9852411
Left	Stainless Steel	9833703	9833704	9833705
	PVC	9833709	9833710	9833711

Contact Labconco for actual panel dimensions, shipping weights and ordering information on Ceiling Enclosure Kits for other hood sizes.

Rear Finish Panel Kits

Recommended when hood is mounted on a casework island, each kit includes a glacier white epoxy-coated steel panel to provide a finished appearance for the rear of the hood. The panel hides the hood's uncoated steel back panel, sash weight and upper interior components. For any Protector Stainless Steel or PVC Laboratory Hood.

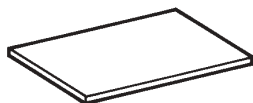
Catalog #	Kit	Shipping Weight
9851800	4' Rear Finish Panel, 48" wide x 59" high	70 lbs. (32 kg)
9851801	5' Rear Finish Panel, 60" wide x 59" high	80 lbs. (36 kg)
9851802	6' Rear Finish Panel, 72" wide x 59" high	90 lbs. (41 kg)
9851803	8' Rear Finish Panel, 96" wide x 59" high	120 lbs. (54 kg)



Accessories

Flat Solid Epoxy Work Surfaces

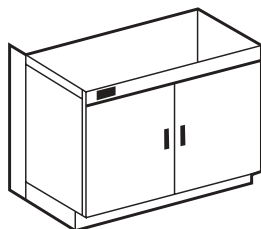
For use with Fiberglass 28 Laboratory Hood. 30" d x 1.25" thick.



Catalog #	Description	Shipping Weight
4882806	30" wide for use with any 30" wide cabinet	86 lbs. (39 kg)
4882805	36" wide for use with any 36" wide cabinet or base stand	90 lbs. (41 kg)

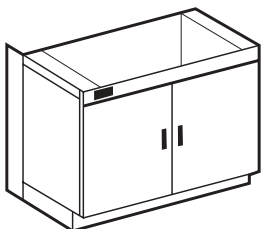
Protector® Storage Cabinets

- See Protector Storage Cabinet Selection Guide on back page.
- Support Protector Stainless Steel and PVC Hoods.
- Durable glacier white epoxy-coated steel construction.



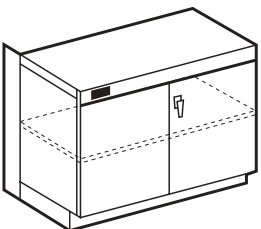
Protector® Standard Base Storage Cabinets

- Manual closing, non-locking door(s).



Protector® Acid Storage Cabinets

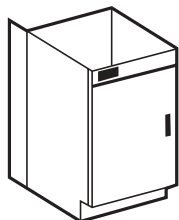
- Safely store and vent acids and other highly corrosive liquids.
- Corrosion-resistant polyethylene plastic-lined interior sides and back.
- Manual-closing, non-locking door(s).
- Includes vacuum formed PVC liner tray.
- Two rear vent connection cutouts. Vent Kit 3591100 sold separately.



Protector® Solvent Storage Cabinets

- Safely store and vent solvents and other highly flammable liquids.
- Dual wall construction with 1.5" air gap.
- Manual closing door(s) with 3-position locking handle(s)*
- Two rear vent connection cutouts with flame arrestors and closure plugs.
- Includes epoxy-coated steel shelf.

* Some models feature self-closing door(s) which close automatically in case of fire.



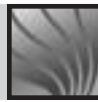
Protector® Vacuum Pump Storage Cabinets

- Provide enclosed space for vacuum pump storage.
- Manual closing, non-locking door.
- Includes one 115 volt, 60 Hz electrical receptacle to provide power to the vacuum pump.

Filler Panels

One 8" filler panel is included with each Storage Cabinet to extend cabinet depth to 30".

Catalog #	Description	Shipping Weight
9920306	Filler Panel, 8" deep, for Protector Stainless Steel Hoods	10 lbs./4.5 kg
9920310	Filler Panel, 14" deep, for Protector PVC Hoods	13 lbs./5.9 kg
9920307	ADA Filler Panel, 8" deep, for Protector Stainless Steel Hoods	9 lbs./4.1 kg
9920311	ADA Filler Panel, 14" deep, for Protector PVC Hoods	12 lbs./5.4 kg



Accessories

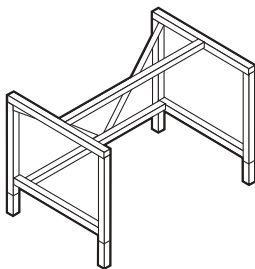
Protector® Storage Cabinet Selection Guide

Cabinets may be mixed or matched so that their total width equals the width of the Protector Laboratory Hood they support. All cabinets are 22" deep. Cabinets are 35.5" to 36.75" high. ADA cabinets are 31.5" to 32.75" high.

Width/Description	Solvent			Acid			Shipping Wt. (lbs./kg)
	Dual Doors	Right Hinge	Left Hinge	Dual Doors	Right Hinge	Left Hinge	
48"	9902000*	—	—	9901000	—	—	260/118
36"	9902100*	—	—	9901100	—	—	180/82
30"	9902200*	—	—	9901200	—	—	155/70
24"	—	9902300	9902400	—	9901300	9901500	130/59
18"	—	—	—	—	9901400	9901600	90/41
48" w/self-closing doors	9903000	—	—	—	—	—	260/118
36" w/self-closing doors	9903100	—	—	—	—	—	180/82
30" w/self-closing doors	9903200	—	—	—	—	—	155/70
24" w/self-closing doors	—	9903300	9903400	—	—	—	130/59
24" ADA	—	9906000	9906100	—	9905000	9905200	120/54
24" ADA w/self-closing doors	—	9906200	9906300	—	—	—	120/54
18" ADA	—	—	—	—	9905100	9905300	85/39

Width/Description	Standard Base			Vacuum Pump			Shipping Wt. (lbs./kg)
	Dual Doors	Right Hinge	Left Hinge	Dual Doors	Right Hinge	Left Hinge	
48"	9900000	—	—	—	—	—	260/118
36"	9900100	—	—	—	—	—	180/82
30"	9900200	—	—	—	—	—	155/70
24"	—	9900300	9900600	—	—	—	130/59
18"	—	9900400	9900700	—	9907000	9907100	90/41
12"	—	9900500	9900800	—	—	—	65/29
24" ADA	—	9904000	9904300	—	—	—	120/54
18" ADA	—	9904100	9904400	—	—	—	85/39
12" ADA	—	9904200	9904500	—	—	—	60/27

*Factory Mutual approved



Adjustable Height Base Stands

Support Protector Stainless Steel and PVC and Fiberglass 28 Laboratory Hoods. Adjust to seven height positions in 1" increments from 27.5" to 33.5" high to accommodate persons sitting or standing. Durable 1.75" tubular, glacier white epoxy-coated steel. Includes four leveling feet. Base Stands of multiple widths may be mixed and matched so that their total width equals the width of the Protector Laboratory Hood they support.

Catalog #	Overall Dimensions	Shipping Weight
3746700	24" w x 29.25" d x 27.5 to 33.5" high	63 lbs. (29 kg)
3746701	36" w x 29.25" d x 27.5 to 33.5" high	72 lbs. (33 kg)
3746702	48" w x 29.25" d x 27.5 to 33.5" high	80 lbs. (36 kg)
3746703	60" w x 29.25" d x 27.5 to 33.5" high	88 lbs. (40 kg)
3746704	72" w x 29.25" d x 27.5 to 33.5" high	96 lbs. (44 kg)

Contact Labconco at **800-821-5525** or **816-333-8811** for ordering information on blowers, ductwork and additional accessories.



Labconco Corporation

8811 Prospect Avenue • Kansas City, MO 64132-2696
 800-821-5525, 816-333-8811 • FAX 816-363-0130
 E-MAIL labconco@labconco.com
 HOME PAGE www.labconco.com



© 2002 by Labconco Corporation
 Product design subject to change
 without notice
 2-57-6/02-Sun-10M-R1